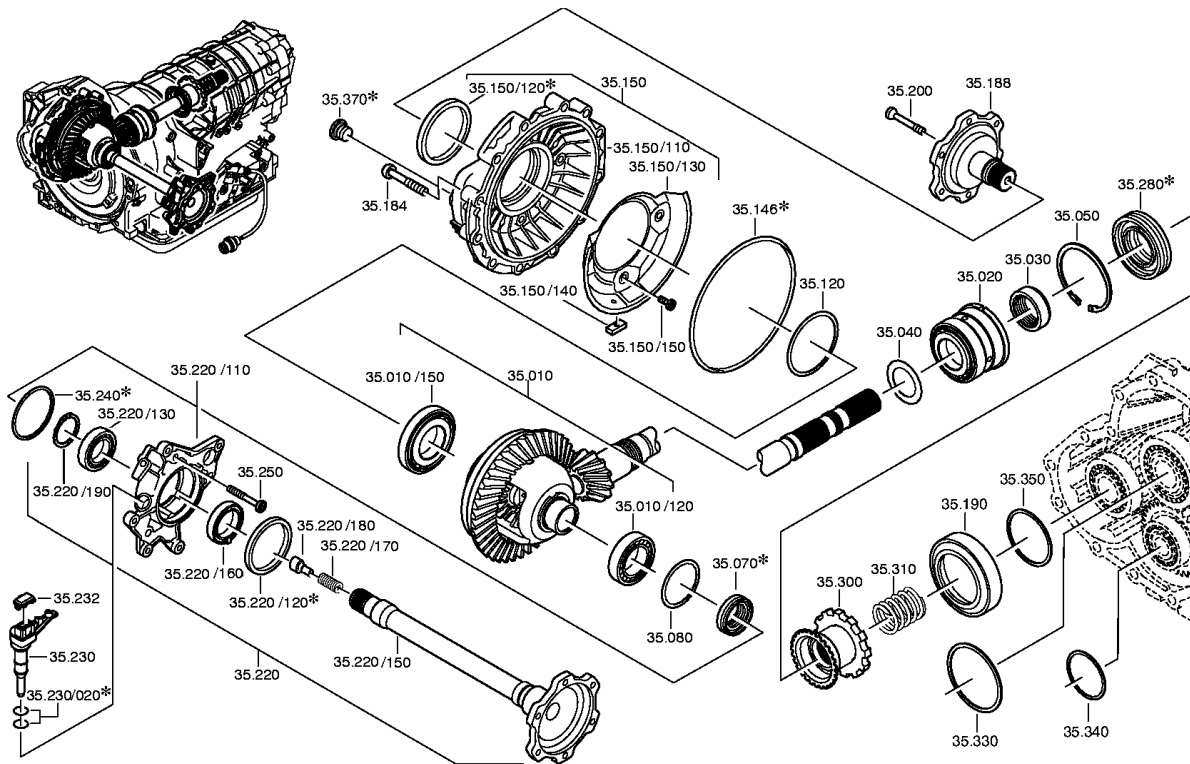




5HP19FLA Spare Parts – Front Axle Differential Group (continued)

Pos #	ZF Part #	Description	Qty	Where used (1060 040 ____)	Notes
35.150/150	0736 101 241	Torx Screw M6x14	3	All	
35.184	0736 617 061	Torx Screw M8x45	12	All	
35.188	1060 235 040	Output Flange	1	018/030/054	
	1060 235 120	Output Flange	1	073/101	
	1060 335 017	Output Flange	1	002/012/013/035/036/ 044/063/065/075/100	
	1060 335 098	Output Flange	1	053/087/093/103	
35.190	1056 337 033	Bearing Ring	1	All	
35.200	0736 029 089	Anti-Fatigue Bolt M8	1	All	
35.220	1060 235 003	Flange Shaft	1	018/030/054	
	1060 235 004	Flange Shaft	1	002/012/013/035/036/ 044/063/065/075/100	
	1060 235 116	Flange Shaft	1	053/087	
	1060 235 119	Flange Shaft	1	073/093/101	
	1060 235 141	Flange Shaft	1	103	
35.220/110	1056 335 053	Speedo Cover	1	All (except 101/103)	
	1060 335 126	Speedo Cover	1	101/103	
35.220/120	0734 319 419	Shaft Seal	1	All	* Available in kit 1060 298 031
35.220/130	0635 331 218	Ball Bearing	1	All	
35.220/150	1060 335 021	Flange Shaft	1	002/012/013/018/030/ 035/036/044/054/063/ 065/075/100	
	1060 335 103	Flange Shaft	1	053/073/087/093/101/ 103	



Note: Parts marked with * are only available in kits.